

# NUVICO EasyView™ Series Vandalproof Dome Cameras

## CV-S Series / / 550 TV Lines



VANDALPROOF WEATHERPROOF



Flush Housing with Surface Mount Plate



Flush Mount

### Key Features

- 1/3" CCD
- 550 TV Lines
- 0.1 Lux(Normal), 0.002 Lux(DSS On)
- Separate Camera Control Board
  - OSD Menu
  - Service Monitor Output
- 12VDC/24VAC Dual Voltage

### Lens Options

- 2.6~6mm, DC Auto Iris
- 3.8~9.5mm, DC Auto Iris

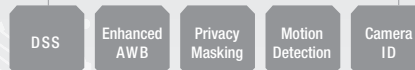
### Construction

- 4" Polycarbonate Bubble
- 3-Axis Gimbal
- Flush Mount Housing w/ Surface Mount Plate in a single package
- Impact Resistant Dome w/ Aluminum Housing
- Aluminum Wall Mount (Option)
- Weatherproof - IP66
- Fan & Heater(Optional)
- Compact Size

### Super Image Enhancer

Innovative DSP Technology for delivering excellent picture quality in any lighting conditions.

- High Resolution - 550 TV Lines
- Super Low Light Performance
- Super BLC
- Extraordinary Capability for Intelligent Processing



Cover every angle !



Tilted View w/ 2-Axis Bracket

Perfect View w/ 3-Axis Gimbal

#### NUVICO INC.

53 Smith Street, Englewood, NJ 07631  
Phone 201-541-1605 Toll Free 866-523-1700 Fax 201-541-1620  
sales@nuvico.com [www.nuvico.com](http://www.nuvico.com)

NUVICO reserves the right to alter product offers and specification at any time without notice.  
NUVICO EasyView and the NUVICO logos are registered trademarks of NUVICO.  
Copyright © 2006 NUVICO. All rights reserved.

# NUVICO®

Connecting Video Anywhere™

# NUVICO EasyView™ Series Vandalproof Dome Cameras



## Specifications

Item	CV-S Series	
Video Formats	NTSC	PAL
Image Sensor	1/3" SONY CCD	
Sync System	Internal / Line Lock(Optional)	
Scanning system	525 Lines, Interlaced	625 Lines, Interlaced
Electronic Shutter	1/60 ~ 1/100,000	1/50 ~ 1/100,000
Main Video Output	1.0 Vp-p Composite, 75 ohm	
Service Monitor Output	1.0 Vp-p Composite, 75 ohm	
Horizontal Resolution	550 TV Lines	
Min. Illumination	0.1 Lux(Color), 0.002 Lux(DSS On)	
S/N Ratio	More than 50dB(AGC Off)	
Lens Options (DC Auto Iris)	Vari-focal: 2.6~6mm, 3.8~9.5mm	
Auto Iris Control	DC Level Button	
Camera Control & Setup	OSD Menu	
Operating Temperature	-5°C ~ +45°C(Normal), -25°C ~ +60°C(w/ Fan & Heater)	
Operating Humidity	Within 90% RH	
Weatherproof	IP66(Only applies to Vandalproof Housing)	
Power Consumption	Camera - 500mA, Fan & Heater - 20VA(24VAC Only)	
Power Requirement	12VDC/24VAC Dual Voltage	

\* Must use specified and regulated 12VDC/24VAC power supply.

## Available Models

- CD-S266N/P-I** 2.6~6mm Vari-focal Lens, 12VDC/24VAC, Ivory Housing
- CD-S3895N/P-I** 3.8~9.5mm Vari-focal Lens, 12VDC/24VAC, Ivory Housing

## Accessories

- CV-FH** Fan & Heater for EasyView™ Vandalproof Domes
- CA-SMC30** Service Monitor Cable for EasyView™ Mini Domes
- CV-WM** Wall Mount for EasyView™ Mini Domes
- CA-PM** Pedestal Mount for EasyView™ Mini Domes
- CA-JB** Junction Box for EasyView™ Cameras & Wall Mount



### Easy Camera Setup

Camera Control Board is conveniently located at the base of Dome Housing. Service Monitor Output, DC Level Button and Dip Switches are easily accessible for quick camera setup.



### Easy Gimbal Adjustment

Traditional Dome Insert has been fully integrated into the Gimbal for complete camera concealment. Uniquely designed Gimbal mechanism yields maximum lens rotation & placement (85° Tilt, 355° Pan), in quick and simple steps.

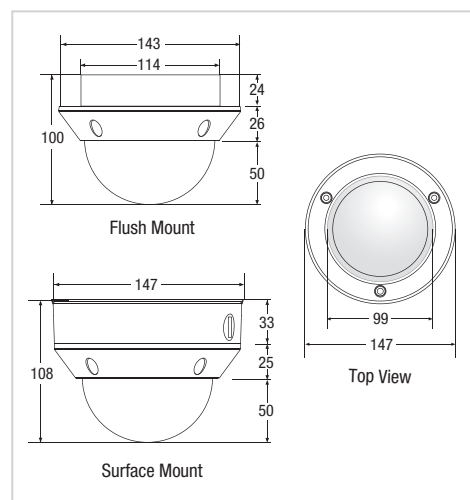


### Easy Housing Installation

Either flush mount or surface mount application, pre-drilled mounting holes on EasyView Domes accommodate various electrical junction boxes, making installation easy and less time consuming.



## Dimensions (UNIT: mm)



### NUVICO INC.

53 Smith Street, Englewood, NJ 07631  
 Phone 201-541-1605 Toll Free 866-523-1700 Fax 201-541-1620  
 sales@nuvico.com [www.nuvico.com](http://www.nuvico.com)

NUVICO reserves the right to alter product offers and specification at any time without notice.  
 NUVICO EasyView and the NUVICO logos are registered trademarks of NUVICO.  
 Copyright © 2006 NUVICO. All rights reserved.

**NUVICO**®  
 Connecting Video Anywhere™